

1

2

3

Reject Fin
放熱フィン

Thermistor
サーミスタ

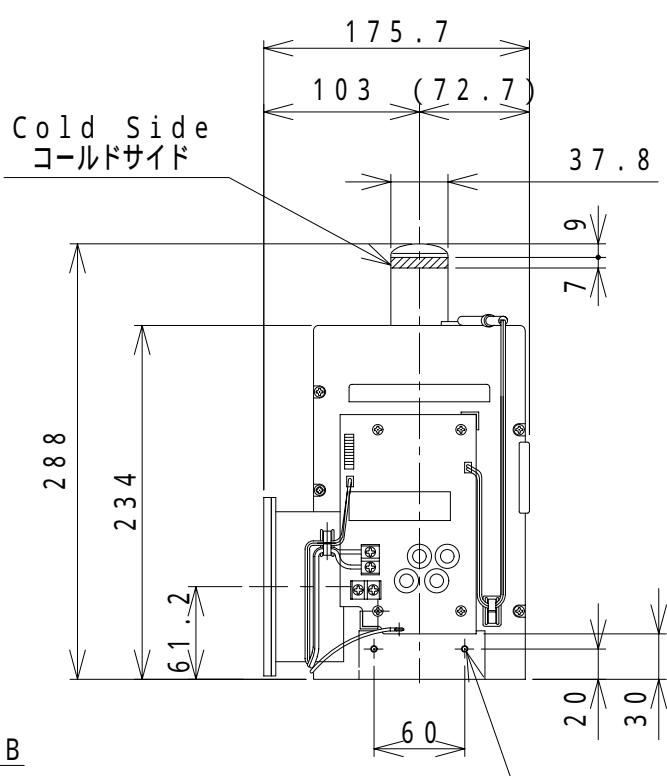
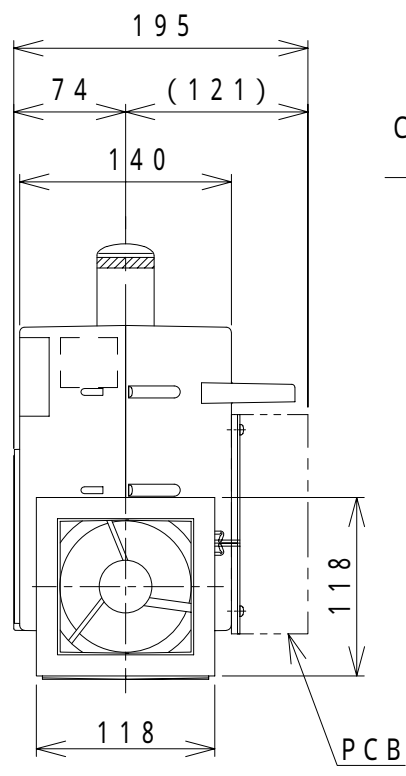
A

B

C

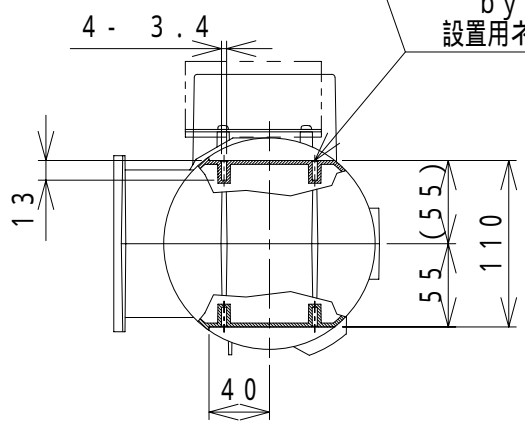
D

E



Cold Side
コールドサイド

4 Halls
to fix module
by screw
設置用ネジ穴(4ヶ所)



ORIGINAL PAPER SIZE A4

5					TORERANCE	- - -	TITLE	SC-UD08 Main Sizes		
4						SCALE	1 / 5	DRAWING NO.	04S - 400026 - 00	
3						APPROVED	CHECK	DESIGN	DRAWING	DATE
2							T . S .	K . S .	TWINBIRD CORPORATION	
1					FIRST APVD.	-				
NO.	DATE	REVISIONS	Q'TY	NAME						