

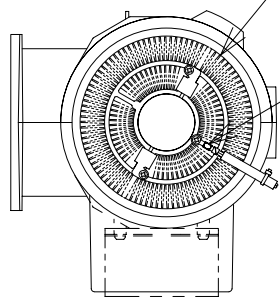
1

2

3

Reject Fin  
放熱フィン

Thermistor  
サーミスタ

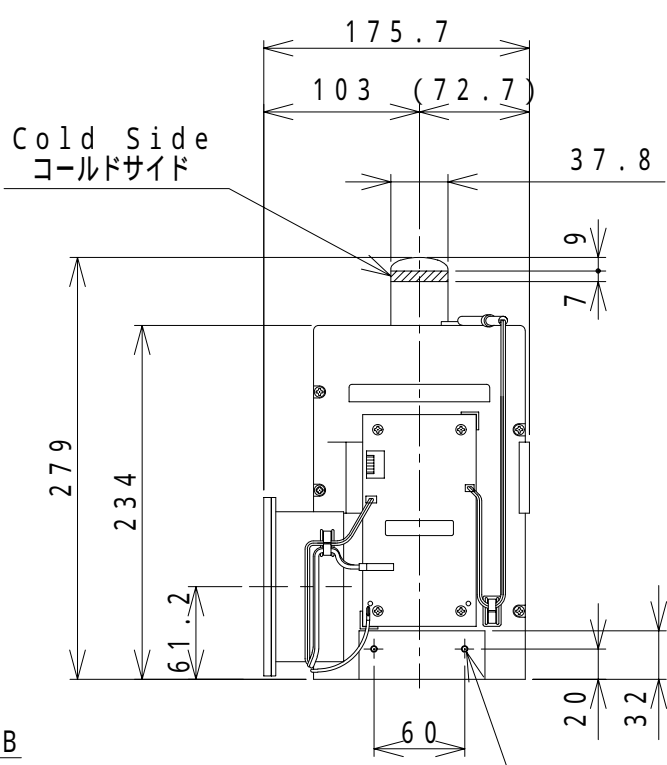
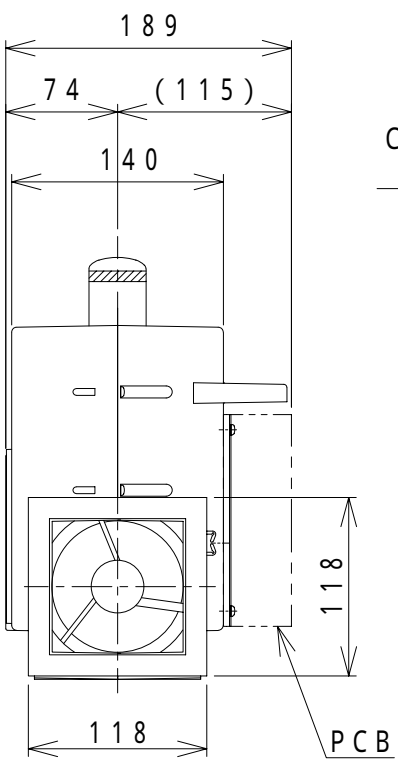


A

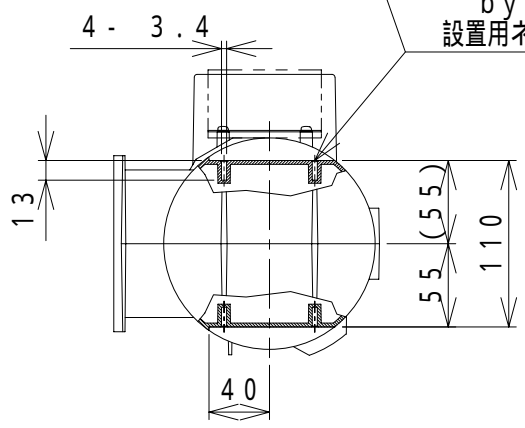
B

C

D



4 Halls  
to fix module  
by screw  
設置用ネジ穴(4ヶ所)



ORIGINAL PAPER SIZE A4

E	5				TORERANCE	---	TITLE	SC-UB04 Main Sizes
	4				APPROVED	CHECK	SCALE	1/5
	3						DRAWING NO.	04S-400024-00
	2						DESIGN	Y.N.
	1						DRAWING	K.S.
	NO.	DATE	REVISIONS	Q'TY	NAME	FIRST APVD.		TWINBIRD CORPORATION
							DATE	4.MAR.2008