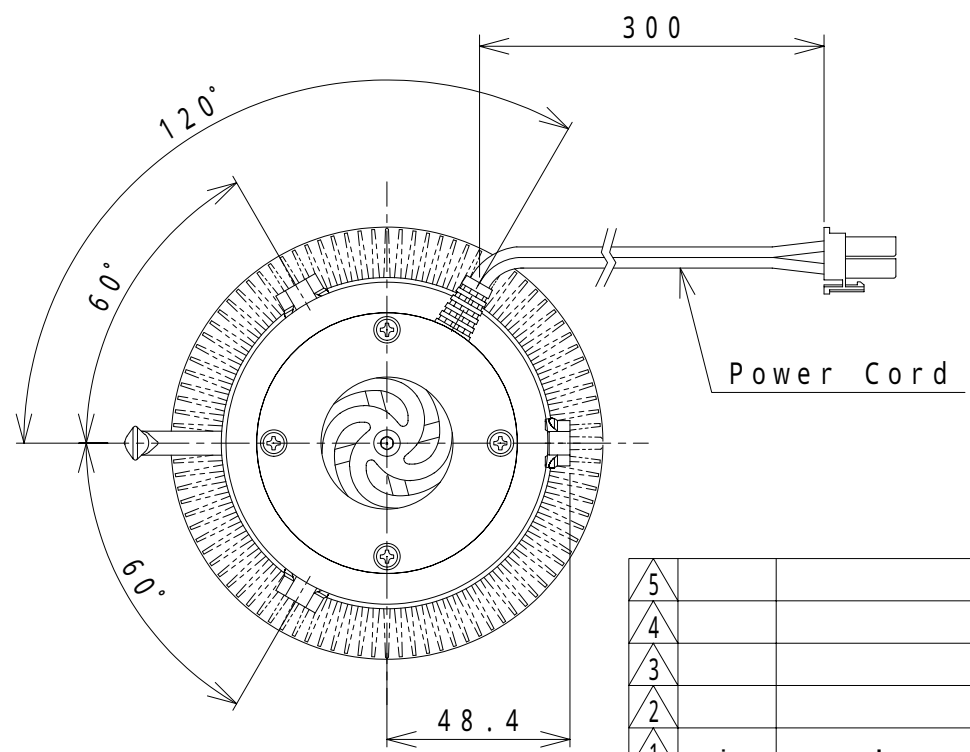
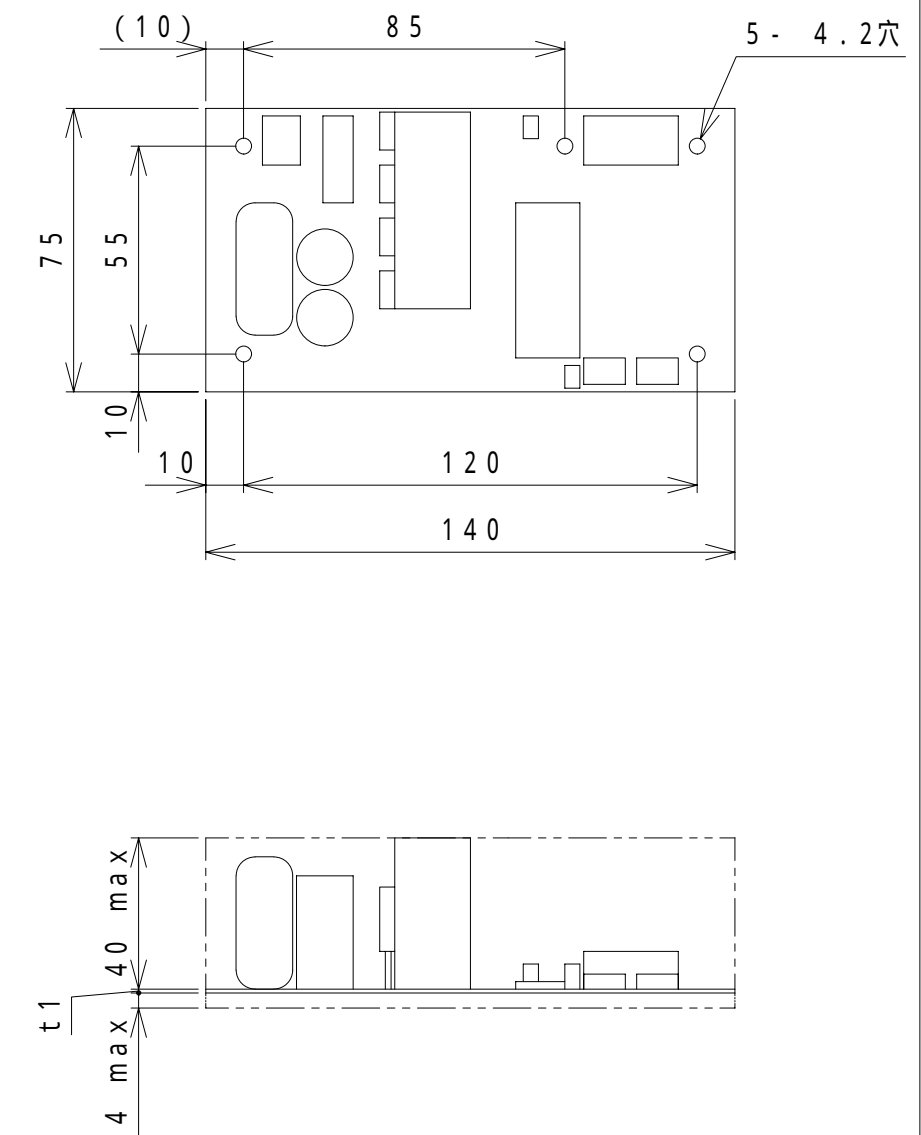
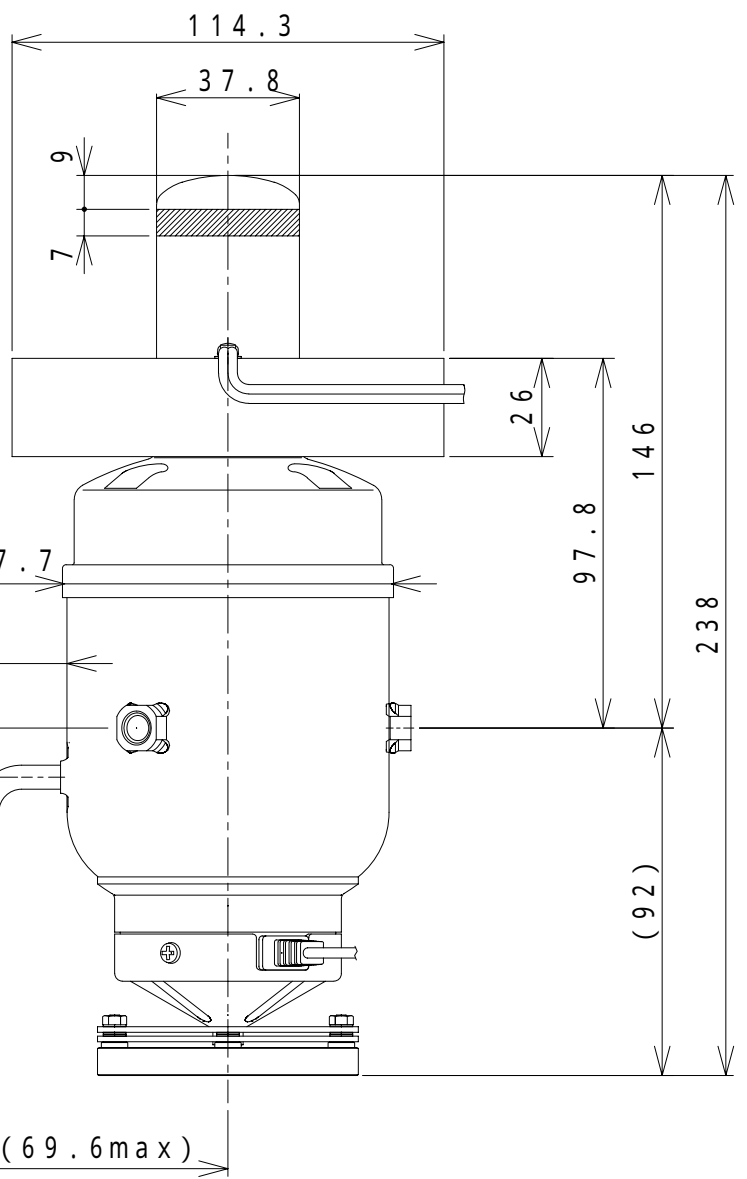
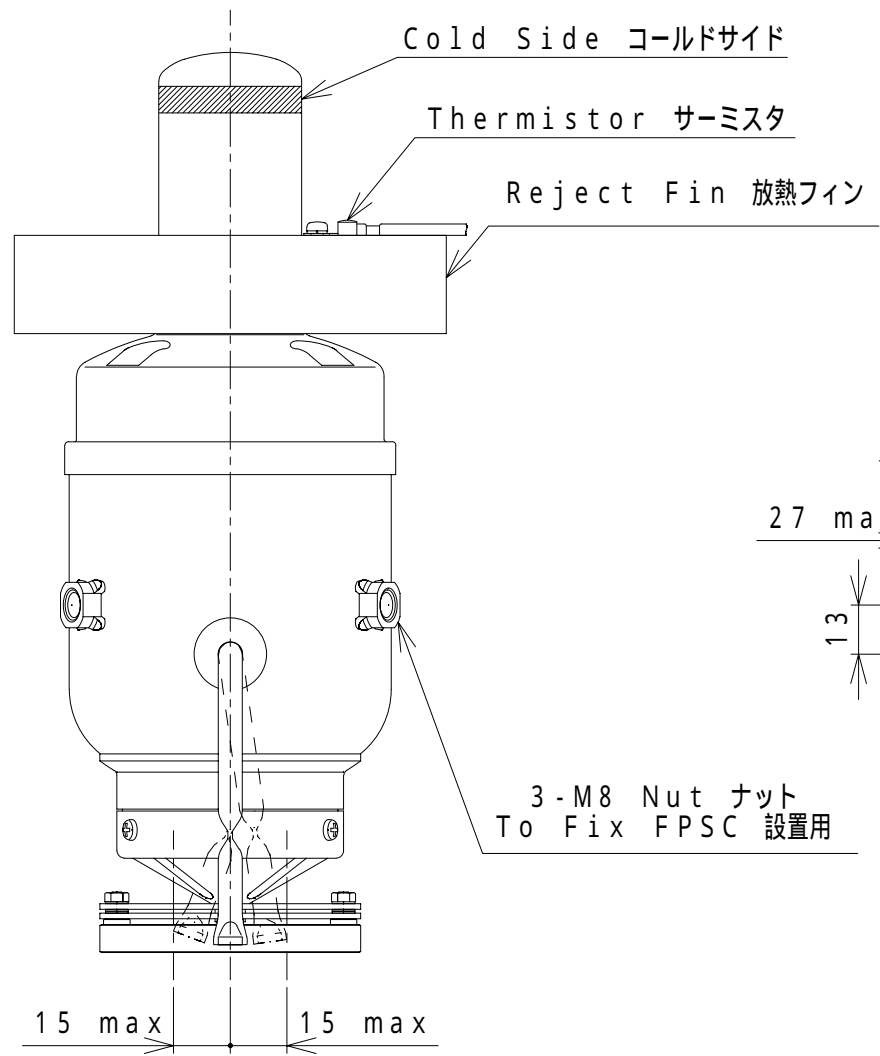


FPSC

PCB

A
B
C
D
E



ORIGINAL PAPER SIZE A3

5					TOLERANCE	---		TITLE	SC-TC04 Main Sizes
4						SCALE	1/2	DRAWING NO.	04S-300023-00
3						APPROVED	CHECK	DESIGN	DRAWING
2							Y.N.	K.S.	4.MAR.2008
1									
NO.	DATE	REVISIONS	Q'TY	NAME	FIRST APVD.			TWINBIRD CORPORATION	