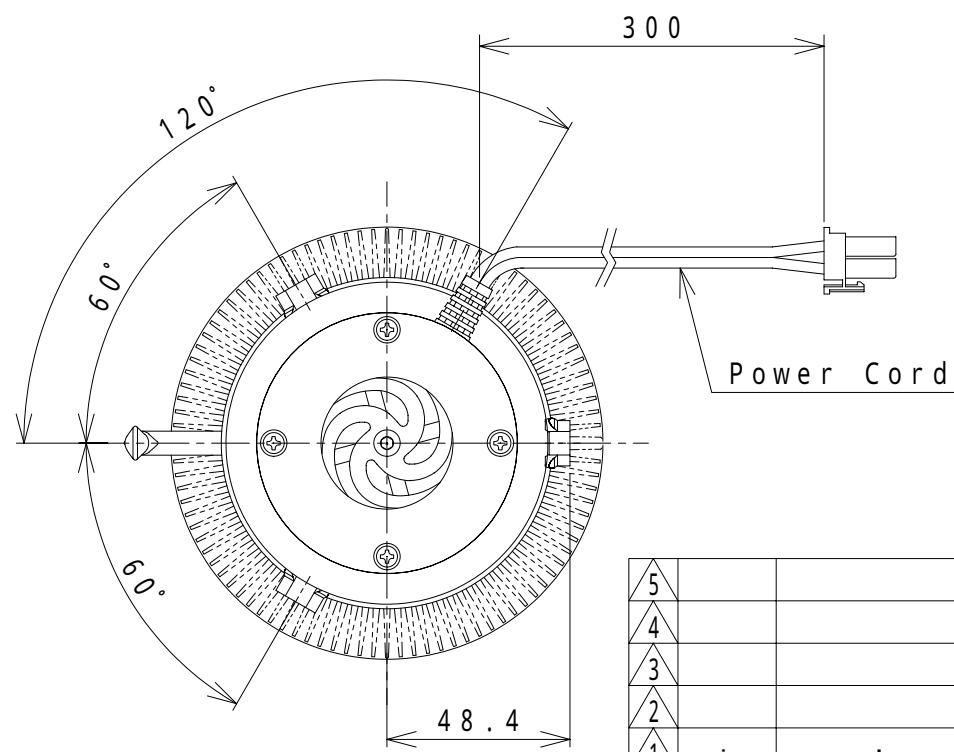
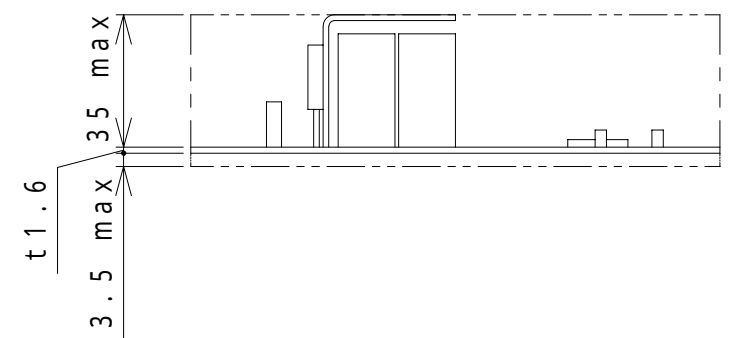
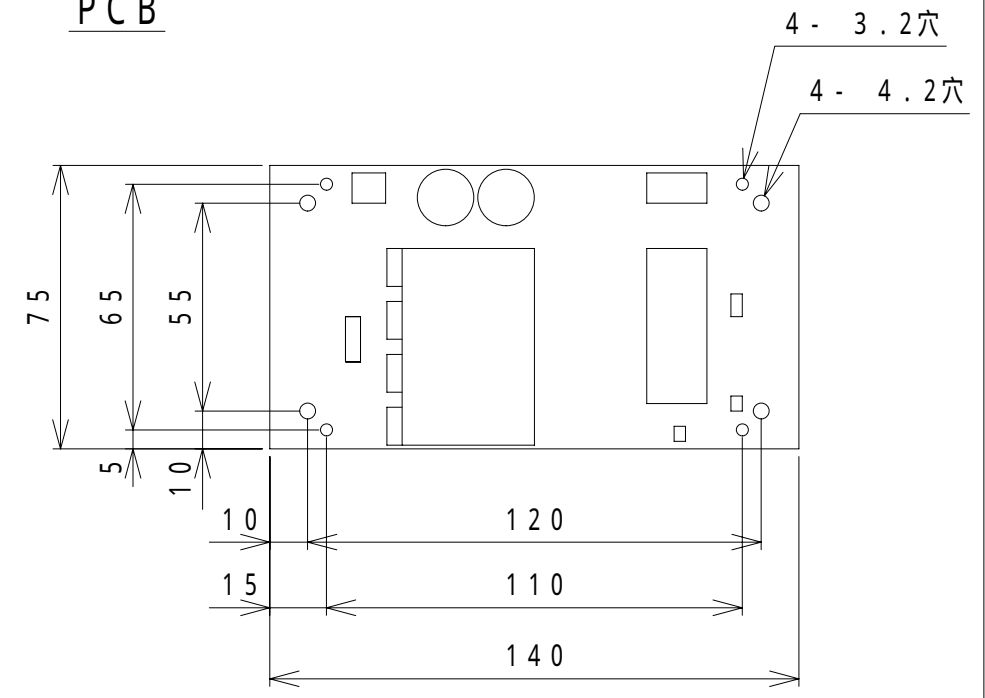
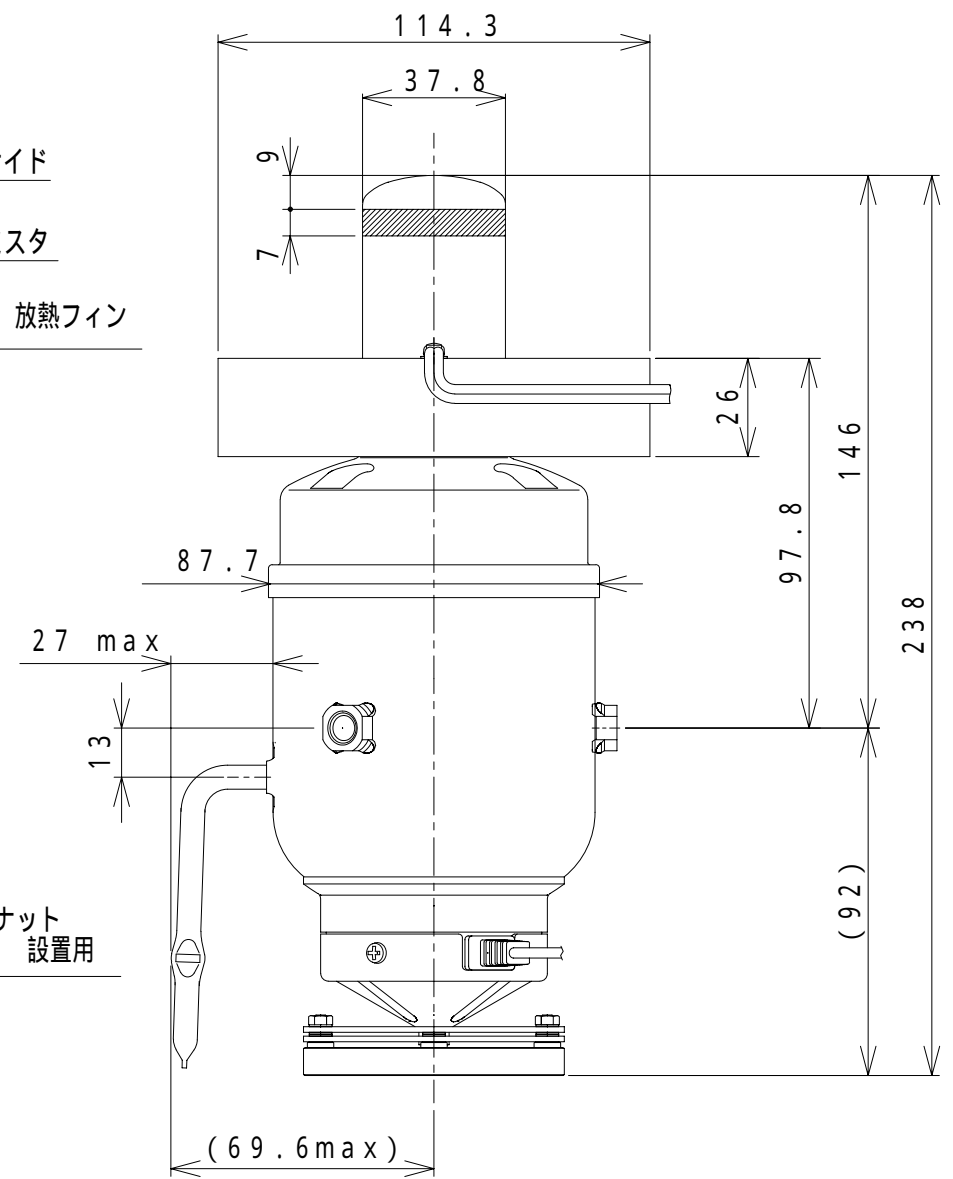
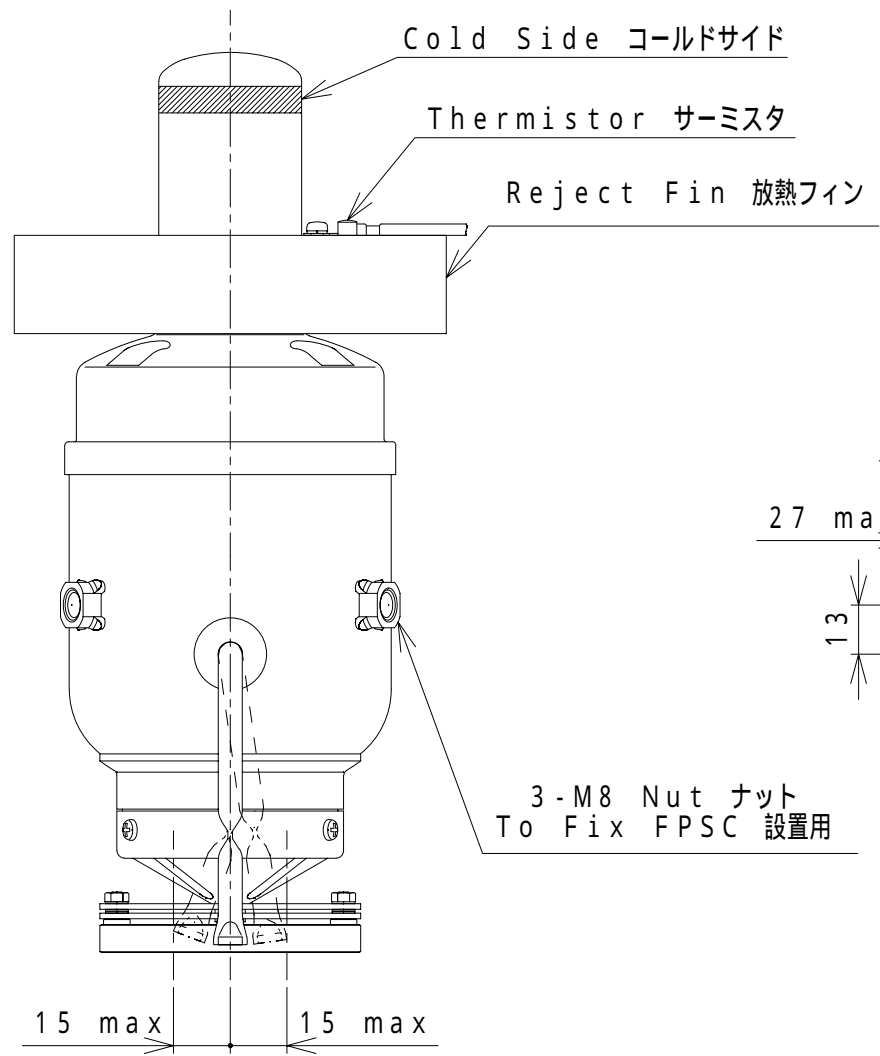


FPSC

PCB

A
B
C
D
E



ORIGINAL PAPER SIZE A3

5					TOLERANCE	---	TITLE	SC-TA04 Main Sizes		
4						SCALE	1/2	DRAWING NO.	04S-300021-00	
3						APPROVED	CHECK	DESIGN	DRAWING	DATE
2							Y.N.	K.S.	TWINBIRD CORPORATION	
1										
NO.	DATE	REVISIONS	Q'TY	NAME	FIRST APVD.					