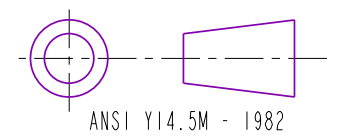
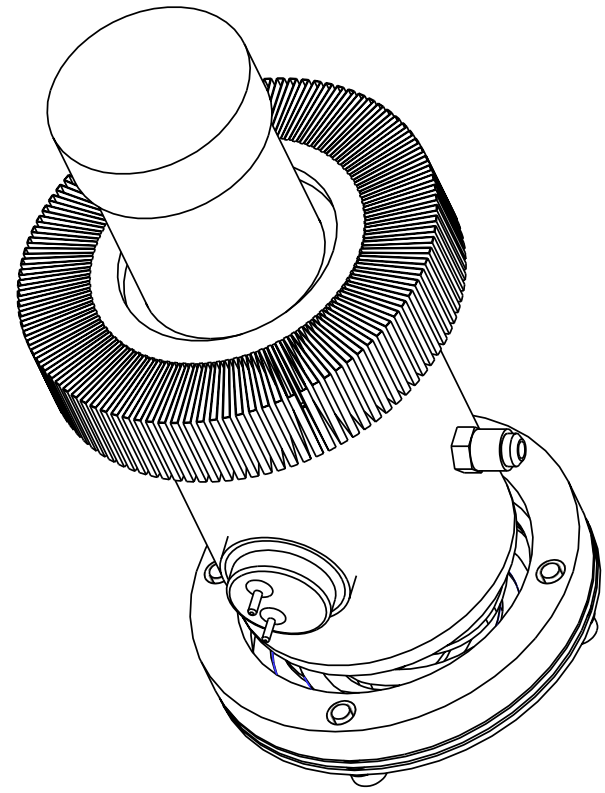
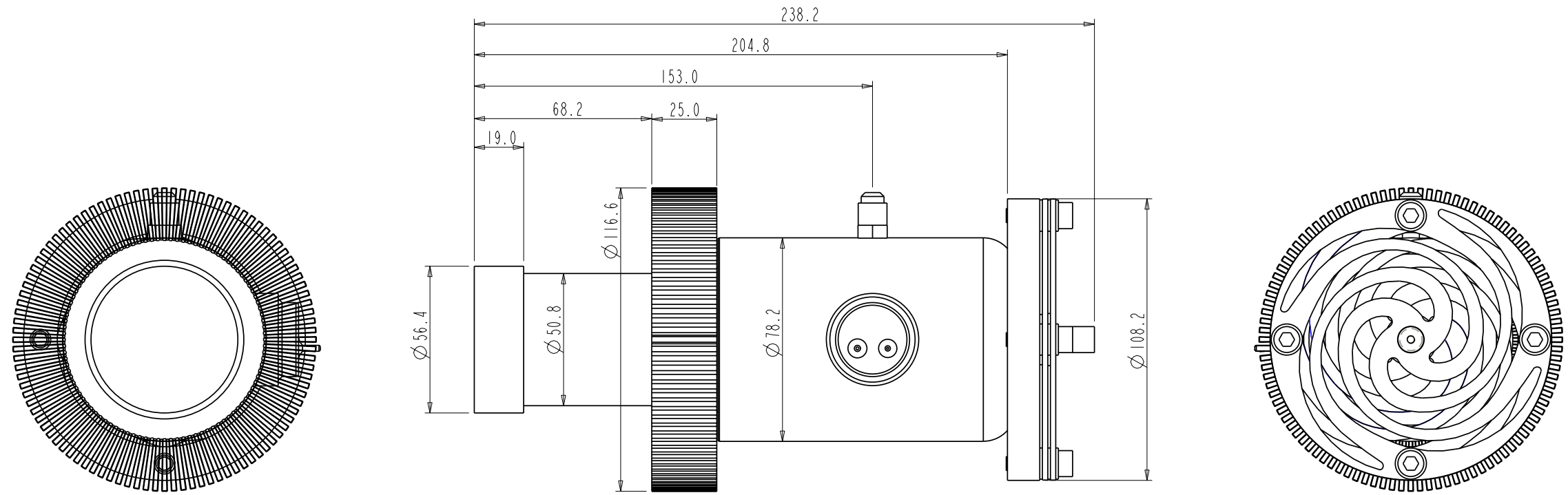
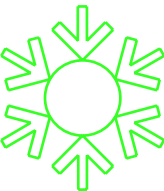


LTR	NOTICE	DATE	REVISIONS	DRAWN	CKD.	APP'D



UNLESS OTHERWISE SPECIFIED: - ALL DIMENSIONS IN MILLIMETERS - TOOL RADIUS=0.2 - SURFACE FINISH X. ± 0.5 =1.5 μm(RMS) OR BETTER X.X ± 0.1 - DEBURR ALL EDGES X.XX ± 0.01 ANG. ± 0.1		CHECKED BY:	DATE: MM/DD/YY
FILE NAME: M100B-AND-REJECTER	SUB DIR.	DRAWN BY:	DATE: MM/DD/YY
MATERIAL:		DESIGN BY:	QTY/UNIT
TREATMENT:		SIZE:	SCALE:
		DRAWING NO.	
		M100B-001-REJ	


 THIS DOCUMENT IS PROPRIETARY
 THIS INFORMATION IS FURNISHED BY
 GCM OR GCBV FOR EVALUATION PURPOSES
 ONLY AND SHALL NOT BE USED, DUPLICATED
 OR DISCLOSED FOR ANY OTHER PURPOSES.

GLOBAL COOLING