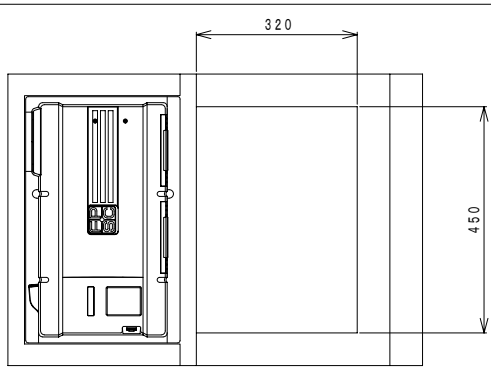
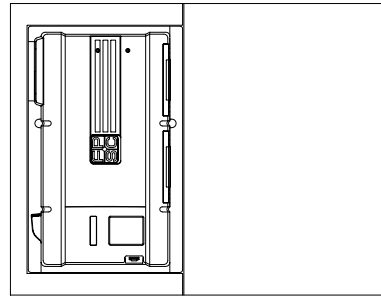


1 2 3 4 5 6 7

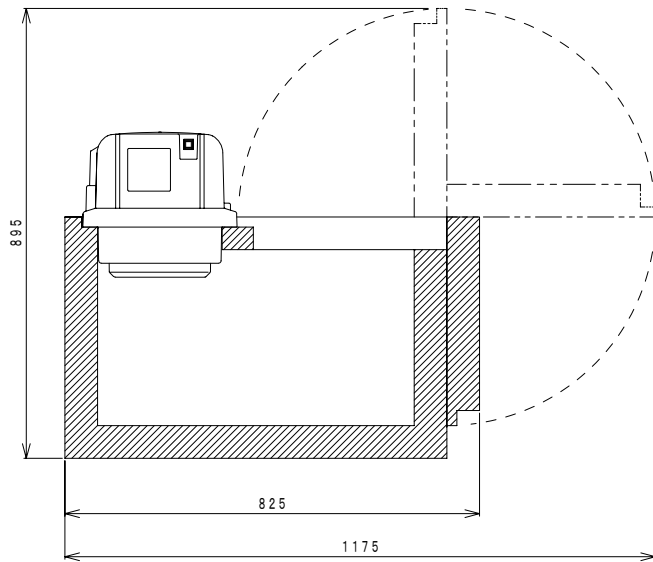
A



B

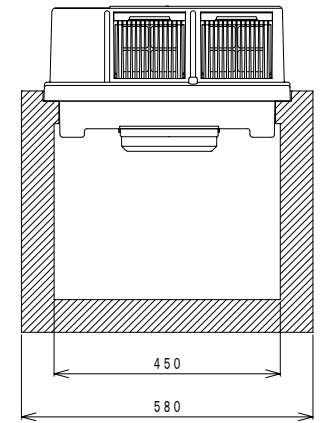
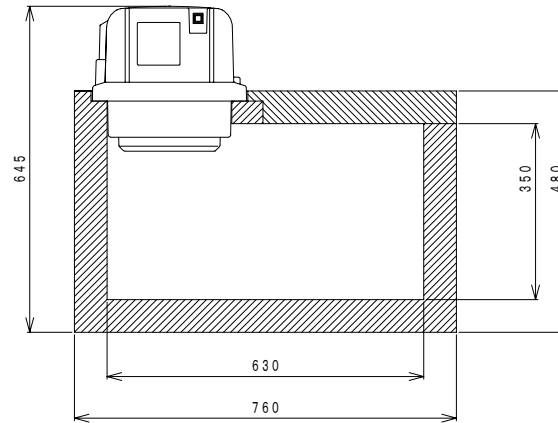


C



D

蓋を開けた状態



E

ORIGINAL PAPER SIZE A3

|     |      |           |      |      |             |          |       |                              |                      |      |
|-----|------|-----------|------|------|-------------|----------|-------|------------------------------|----------------------|------|
| 5   |      |           |      |      | TOLERANCE   | ---      | TITLE | クールカーゴ <sup>®</sup> 100V外観略図 |                      |      |
| 4   |      |           |      |      |             | SCALE    | 1/10  | DRAWING NO.                  | 04S-300009-00        |      |
| 3   |      |           |      |      |             | APPROVED | CHECK | DESIGN                       | DRAWING              | DATE |
| 2   |      |           |      |      |             |          | Y. N  | Y. N                         |                      |      |
| 1   | -    | -         | -    | -    |             |          |       |                              | TWINBIRD CORPORATION |      |
| NO. | DATE | REVISIONS | Q'TY | NAME | FIRST APVD. | -        |       |                              |                      |      |